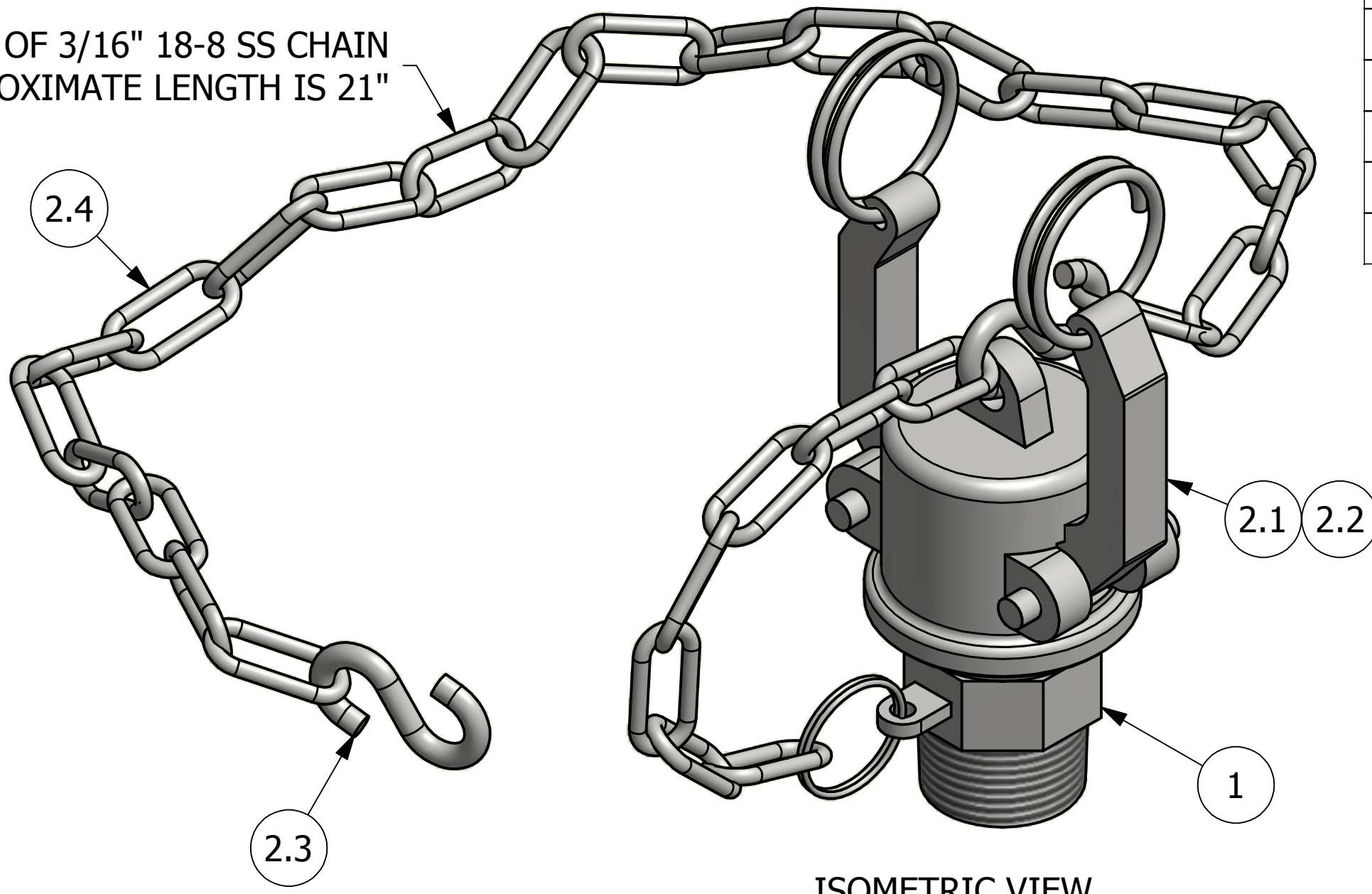
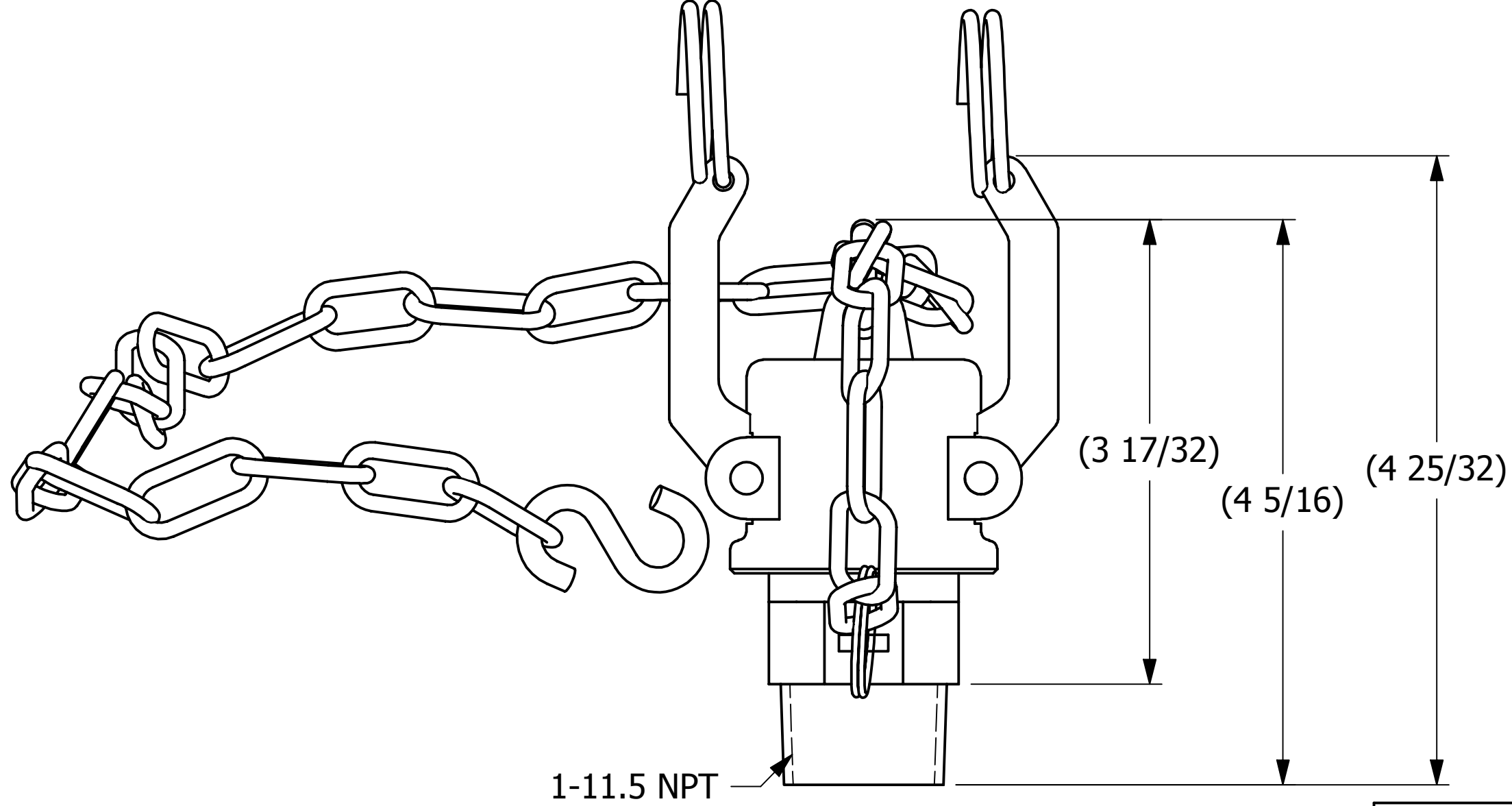


21 LINKS OF 3/16" 18-8 SS CHAIN
APPROXIMATE LENGTH IS 21"



NO.	PART NAME	PART#	REQ'D	MATERIAL
1	ADAPTER ASSEMBLY 1"	K1SMPA	1	316 SS
2	DUST CAP 1"	K10SDC230A	1	316 SS
2.1	DUST CAP 1"	K10SDC1	1	316 SS
2.2	DUST CAP GASKET 1"	PD1DCG230	1	WHITE FDA EPDM PC
2.3	S-HOOK 3/16"X1 1/2"	SC316SHS	2	304 SS
2.4	CHAIN LINK 1/8"	SC18S	22	18-8 SS

ISOMETRIC VIEW



1-11.5 NPT

SALES DRAWING SALES DRAWING

SALES DRAWING SALES DRAWING

A	RJP	5-27-16	RELEASED FOR PRODUCTION
REV	BY	DATE	DESCRIPTION
SALCO PRODUCTS, INC.			
PART NAME: TOP FITTING ASSEMBLY 1" THREAD ON			
MATERIAL: SEE BOM			
PROJECT #: R160428F		SHEET #: 1 OF 1	SCALE: 1:1
DRAWING #: C43638		PART #: K10SUMP230A	

UNLESS OTHERWISE SPECIFIED DIMENSIONAL TOLERANCES FRACTIONAL: $\pm 1/16$ X.XX: $\pm .03$ X.XXX: $\pm .015$ ANGLE: $\pm 1^\circ$ DEBURR ALL SHARP EDGES. ALL MACHINED SURFACES TO HAVE A 125 RMS FINISH UNLESS NOTED OTHERWISE. THIRD ANGLE PROJECTION	DRAWN BY:	RJP
	CHECKED BY:	JRO
	PROTOTYPE BY:	RJP
	PROTOTYPE DATE:	5/3/2016
	APPROVED FOR PRODUCTION BY:	JRO
	PRODUCTION DATE:	5/27/2016

THIS PRINT, PROPERTY OF SALCO PRODUCTS INC., CONTAINS PROPRIETARY INFORMATION AND MUST NOT BE COPIED, REPRODUCED, OR USED DETRIMENTALLY TO OUR INTEREST.